

RMT 2M

RELEASE DEVICE FOR TESTING OF SPACE MECHANISMS LIGHT SERIES

RELEASE LOAD*	0–2000 N
ULTIMATE LOAD	2500 N
MASS	210 g
TEMPERATURE RANGE	ROOM TEMPERATURE
RELEASE	MANUAL LEVER
RESET	MANUAL
SAFETY LATCH	REMOVEABLE SCREW
MAXIMAL ANGULAR MISALIGNMENT OF THE BOLT	2° CONE
MINIMAL CABLE RADIUS	—

RMT 2M is a resettable and fully reusable simulator of space qualified HDRM mechanisms. With release load of 2 kN it is designed to test mechanisms at any stage of their development without a need for an expensive refurbishment of space qualified hardware.

With mechanical manual release by a handle, it offers a quick and affordable way to tune and prove your mechanism designs.

It is offered with several options of the interface plate and inner thread to match exactly the space hardware you need.

Contact us for individual design adjustments.

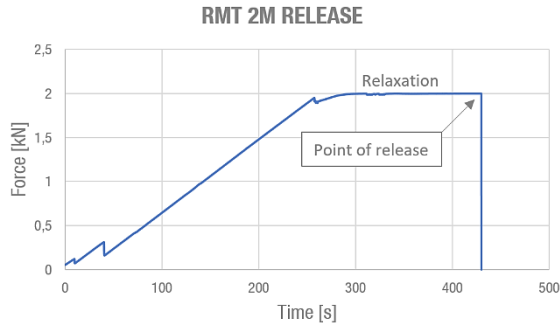
*Repetitive release beyond this load is not guaranteed

COMPATIBLE HARDWARE:

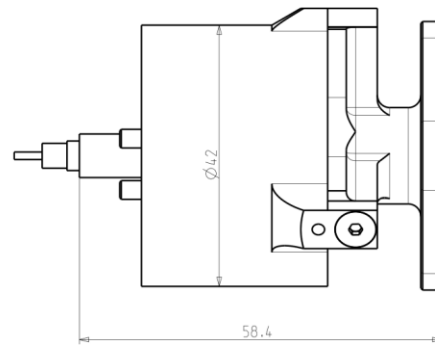
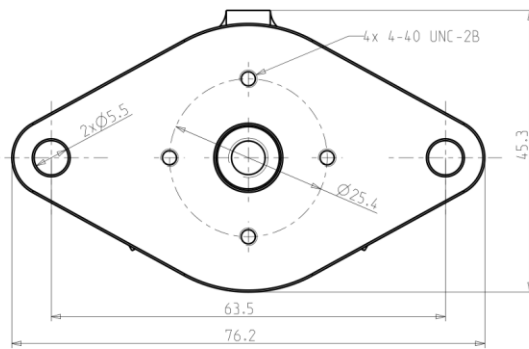
- Any up to $\varnothing 6$ mm loading bolt

MATERIAL:

- STAINLESS STEEL
- ALUMINIUM
- POLYMER CABLE LINER



Interface hub is shown in configuration for the most common hardware in this pretension range. Custom interface hole span or different interface thread array is possible and is part of the offer.



DATASHEET

RMT 2M